



SENTRY™

AUTOMATICALLY THE BETTER CHOICE

www.martin-electronics.co.za

www.martin-electronics.co.za

SLIDING GATE OPERATOR



SAFETY GATE BEAMS



TRANSMITTERS & RECEIVERS



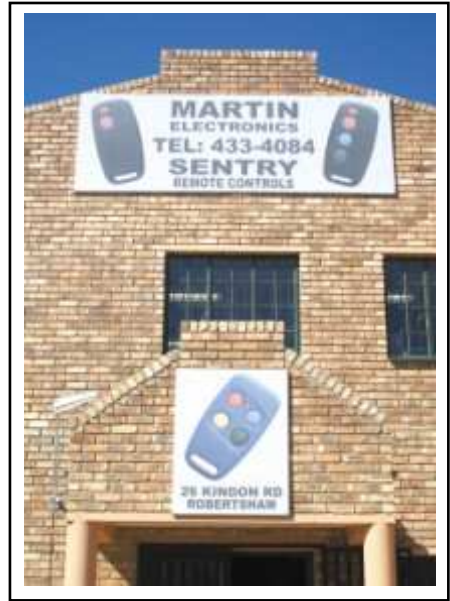
WIRELESS KEYPADS

PRODUCT CATALOGUE

COMPANY PROFILE

Martin Electronics is a respected and well-known manufacturer of RF remote controls and security products and has established itself as the leader in RF remote controls for over 30 years.

Martin Electronics manufactures remote controls, receivers, infra-red beams, passive infra-red, garage door automation, gate automation, GSM communicators and alarm system products under the Sentry brand name.



Martin Electronics also manufactures products for OEM (Original Equipment Manufacturers) from conceptual design to finish product. Martin Electronics designs and manufactures not only its own products but also specialized and custom products for specific customers and provides support for these products.

Martin Electronics strives to give excellent service and backup for all their product, technical staff as well as our engineers are available to give answers to technical or installation queries.

The Sentry brand of equipment are installed countrywide and is available through a network of distributors in South Africa.

Further information is available on our website
www.martin-electronics.co.za

© Martin Electronics cc 10/2021

Martin Electronics cc. reserves the right to make changes to the products described in this manual without notice and without obligation of Martin Electronics cc to notify any persons of any such revisions or changes. Additionally, Martin Electronics cc. makes no representations or warranties with respect to this manual.

No part of this document may be copied, stored in a retrieval system or transmitted in any form or by any means electronic, mechanical, optical or photographic, without the express prior written consent of Martin Electronics cc.

INDEX

1. Company profile
2. Index

TRANSMITTERS

3. Sentry Code Hopping
4. Code Hopping Compatible
5. Binary & French
6. Learning
7. Dual Frequency Learning

RECEIVERS

8. Code Hopping
9. Learning (Fixed Code)
10. OEM RF Receiver Modules
11. AC 2 Channel General Purpose Receiver
12. AC 1 Channel General Purpose Receiver **NEW**

13. Long Range RX & TX

GATE & GARAGE AUTOMATION

14. SGO6+ Sliding Gate Operator
15. SGO6xx Battery Backup Unit **NEW**
16. DCC02 Roll Up Garage Door Opener
17. IR Safety Gate Beams
17. Wireless IR safety Beams
18. Industrial Roller Door Controller
19. 3 Channel Industrial Roller Door Receiver

ALARM SYSTEMS

20. 4 Zone Alarm Panel
21. Passive Infra-Red

GSM COMMUNICATORS

22. GSM communicator

ACCESS CONTROL

23. Wiegand Protocol
24. Wireless General Purpose Keypad
25. OTP Wireless Keypad (Armed Response)

26. Contact Details

FOLLOW US ON:

 @sentryremotes

 @sentrymartinelectronics



SENTRY CODE HOPPING TRANSMITTERS

The **Sentry Code Hopping Transmitters** use an encryption technology known as KEELOQ®, which is a secure protocol that is exceptionally resistant to code grabbing and attempts at decryption. This protocol is also used by leading automobile manufacturers for remote keyless entry.



METX1-C1



METX3-C3



METX4-CH



METX6-CH

SPECIFICATIONS:

Power source: Internal 12v Battery (Type 23A)
Frequency: 433,92MHz
Transmission power: 350mW
Current consumption: 9mA active
Physical size: 65 x 36 x 14mm
Weight: 30g - 40g
Storage Temp.: -10°C to +55°C
Operating Temp.: 0°C to 40°C
Operating humidity: <80%

CODE HOPPING COMPATIBLE TRANSMITTERS

Martin Electronics manufacture **Code Hopping Compatible Transmitters** to some of South Africa's popular brands. These transmitters can be programmed directly to their devices.

METX1-NV1		433,92MHz	METX1-Q1		433,92MHz	METX1-ST1		403,55MHz	METX1-ET1		433,92MHz
METX3-NV3			METX3-Q3			METX4-ST4			METX4-ET4		
METX4-NV4			METX4-Q4			METX6-ST6					
METX6-NV6											
											

SPECIFICATIONS:

Power source: Internal 12v Battery (Type 23A)
 Frequency: 433,92MHz
 Transmission power: 350mW
 Current consumption: 9mA active
 Physical size: 65 x 36 x 14mm
 Weight: 30g - 40g
 Storage Temp.: -10°C to +55°C
 Operating Temp.: 0°C to 40°C
 Operating humidity: <80%

BINARY & FRENCH TRANSMITTERS

BINARY TRANSMITTERS

The **Sentry Binary remote control** is a compact, handheld remote control operating on the 403,55MHz or 433,92MHz bands. The transmission code is set by means of the 12 way DIP switch with up to 4096 unique combinations.



METX1-B1



METX3-B3



METX1-B1/433



METX3-B3/433

NOTE: BINARY TRANSMITTERS

403,55MHz is not sold outside Southern Africa.

433,92MHz is sold in black casings outside Southern Africa.

FRENCH TRANSMITTERS

The **Sentry French code remote control** is a rolling code transmitter. The basis of the encrypted transmission code is set by means of an internal 12 way DIP switch. Sold in South Africa on 403,55MHz and Export on 433,92MHz.



METX1-F1



METX3-F3

SPECIFICATIONS:

Power source: Internal 12v Battery (Type 23A)
Frequency: 403,55MHz or 433,92MHz
Transmission power: 350mW
Current consumption: 9mA active
Physical size: 65 x 36 x 14mm
Weight: 30g - 40g
Storage Temp.: -10°C to +55°C
Operating Temp.: 0°C to 40°C
Operating humidity: <80%

LEARNING TRANSMITTERS

The **Sentry Learning remote control** is a compact, handheld remote control operating on the 403,55MHz or 433,92MHz bands. Offered in 1, 3 and 4 button variants, each capable of learning an existing fixed code transmitter's code into its internal memory. The Learning transmitters do not have the customary DIP switches, but feature an internal receiver that allows the user to "clone" the button of an existing transmitter, quickly, easily and conveniently.



BINARY; TRINARY & FRENCH



BINARY; TRINARY & SMART



SPECIFICATIONS:

- Power source: Internal 12v Battery (Type 23A)
- Frequency: 403,55MHz or 433,92MHz
- Transmission power: 350mW
- Current consumption: 9mA active
- Physical size: 65 x 36 x 14mm
- Weight: 30g - 40g
- Storage Temp.: -10°C to +55°C
- Operating Temp.: 0°C to 40°C
- Operating humidity: <80%

DUAL FREQUENCY LEARNING TRANSMITTERS

The Sentry Learning Dual Frequency remote control is a handheld transmitter that has the capability of “cloning” a button from an existing remote in both the 403,55MHz and 433,92MHz bands. Each button can uniquely be programmed with a different protocol.

403,55MHz PROTOCOLS

- BINARY
- INVERTED BINARY
- TRINARY
- INVERTED TRINARY
- FRENCH
- ♣SHERLO

433,92MHz PROTOCOLS

- BINARY
- INVERTED BINARY
- TRINARY
- INVERTED TRINARY
- SMART
- ROBOGUARD
- ♣NOVA
- ♣QD/Pi CODEX
- ♣ET (OLD TYPE)
- ♣CELLSECURE
- ♣SENTRY C/HOP



METX4-D

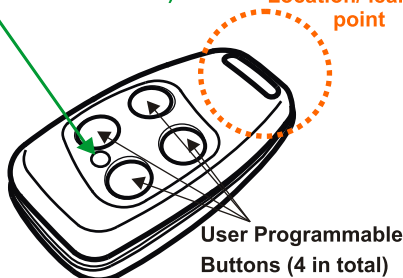
NOTE:

♣ These codes will still need to be programmed to the receiver once cloned.

REMOTE CONTROL FEATURES

Bi-colour LED
(red = Tx at 403.55MHz)
(green = Tx at 433.92MHz)

PLEASE NOTE:
The receiving antenna
Location/ learning
point



SPECIFICATIONS:

- Power source: Internal 12v Battery (Type 23A)
- Frequency: 403,55MHz & 433,92MHz
- Transmission power: 350mW
- Current consumption: 9mA active
- Physical size: 65 x 36 x 14mm
- Weight: ±40g
- Storage Temp.: -10°C to +55°C
- Operating Temp.: 0°C to 40°C
- Operating humidity: <80%

CODE HOPPING RECEIVERS

The **Sentry Code Hopping Receiver** is a matching receiver to transmitter module offered in either one, 2 or 3 channel versions and also a 1000 user unit for Townhouse complexes or business parks. It is capable of learning Sentry code hopping & some other manufactured code hopping remote controls.



MERX1-C1



MERX2-C2



MERX3-C3

COMPATIBLE KEY RING TRANSMITTERS

METX1-C1
(433MHz)

METX1-NV1
(433MHz)

METX1-Q1
(433MHz)

METX1-ET1
(433MHz)



MERX1K-C/S
1000 USER
TOWNHOUSE RECEIVER



SPECIFICATIONS:

Power source: 12-24VDC or
12-18VAC

Relay contact: 1Amp

Frequency: 403,55MHz or 433,92MHz

Sensitivity: -115dBm

Current consumption: 15mA passive
and 50mA active

Physical size: 77 x 69 x 20mm &
90 x 67 x 30mm

Weight: 65g - 95g

Storage Temp.: -10°C to +55°C

Operating Temp.: 0°C to 40°C

Operating humidity: <80%

Standard on 433.92MHz
(403.55Mhz on request)

LEARNING RECEIVERS (FIXED CODE)

The **Sentry Learning Receivers** are paired with matching one, three or four button remote controls. It provides a 1 Amp rated relay contact (dry) suitable for many applications including gate motors, garage doors, striker lock, alarm/panic activation and more.



MERX1-L1



MERX2-L2

COMPATIBLE KEY RING TRANSMITTERS

METX1-B1
(403MHz)



METX1-L1
(403MHz)



METX1-F1
(403MHz)



METX1-T1
(403MHz)



METX4-L
(403MHz)



MERX3-B3

Standard on 403.55MHz
(433.92Mhz on request)

SPECIFICATIONS:

- Power source: 12-24VDC or 12-18VAC
- Relay contact: 1Amp
- Frequency: 403,55MHz or 433,92MHz
- Sensitivity: -115dBm
- Current consumption: 15mA passive and 50mA active
- Physical size: 77 x 69 x 20mm & 90 x 67 x 30mm
- Weight: 65g - 95g
- Storage Temp.: -10°C to +55°C
- Operating Temp.: 0°C to 40°C
- Operating humidity: <80%

OEM RECEIVER MODULES

The **Sentry™ M1 and M5 receiver modules** are compact superheterodyne units designed for the reception of ASK (amplitude shift keying) remote controls operating at 403.55MHz or 433.92MHz. The M1 is designed to mount horizontally or vertically on a printed circuit board and the M5 has 3 wire leads to connect to an on board terminal block.



MERX1-M1

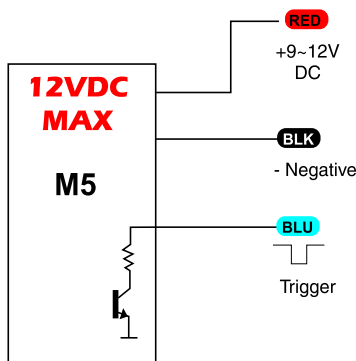
Made to order. 5-7 working days.

Pin No	Function
1	Antenna Input (wire antenna)
2	GND
3	GND
4	Not Used / CHANNEL 1
5	Not Used / CHANNEL 2
6	GND
7	Vcc Supply Voltage
8	Not Used / CHANNEL 3
9	TTL DATA Output or serial data out



MERX1-M5

Made to order. 5-7 working days.



SPECIFICATIONS:

Power source: 5-12VDC (**Must specify when ordering M1**)
 Frequency: 403,55MHz or 433,92MHz
 Sensitivity: -115dBm
 Current consumption: 15mA
 Physical size: 46 x 12 x 5mm
 Weight: ±25g
 Storage Temp.: -10°C to +55°C
 Operating Temp.: 0°C to 40°C
 Operating humidity: <80%

2 CHANNEL 220V GENERAL PURPOSE RECEIVER

The Sentry™ 2 channel general purpose receiver is fully compatible with most code hopping transmitters in all button formats and can learn up to **20 unique transmitter buttons**. It also provides 2 linked relay control channels, each capable of switching typically 5 amps at 230VAC.



MERX-LT

FEATURES:

- Independent controlled relays.
- Latch or timed pulse up to 15 min.
- Optional onboard transmitter with positive or negative trigger.
- Various models available.

AVAILABLE MODELS:

MERX-LT - Standard 220v 2 channel receiver only

METXRX-LT - 220v 2 channel receiver with on board transmitters

MERX-LT/12V - Standard 12-24v 2 channel receiver only

METXRX-LT/12V - 12-24v 2 Channel receiver with on board transmitter

MERX-PLT - 12v **Pool light** receiver

METXRX-LTE - 12v **Energizer** receiver with on board transmitter (re-arm fence energizer and send panic code)

IN DEVELOPMENT



MERX-LT-BM

2ch with beam input

Above unit kits include:

- 1x 2 channel receiver
- 1x 4 button transmitter
- 1x User manual

SPECIFICATIONS:

- Power source: 16VAC or 12-24VDC
210 to 230 VAC
- Frequency: 403,55MHz or 433,92MHz
- Sensitivity: -115dBm
- Current consumption: 15mA
- Physical size: 90x87x31mm
- Weight: >370g
- Storage Temp.: -10°C to +55°C
- Operating Temp.: 0°C to 40°C
- Operating humidity: <80%

1 CHANNEL 220V GENERAL PURPOSE RECEIVER

The Sentry™ 1 channel general purpose receiver is fully compatible with most code hopping transmitters in all button formats and can learn up to **16 unique transmitter buttons**. It also provides 1 relay controlled channel, capable of switching typically 8 amps at 230VAC. Ideal for switching garden lights, small water pumps and other low power consumption equipment.

IN DEVELOPMENT



MERX-1LT

Sold as a kit

- 1x 1 channel receiver
- 1x 3 button transmitter
- 1x Transmitter wall bracket
- 1x User manual

FEATURES:

- On board timer
- Latch or pulse function
- Code Hopping encryption
- Store up to 16 transmitters

SPECIFICATIONS:

- Power source: 210 to 230 VAC
- Frequency: 433,92MHz
- Sensitivity: -115dBm
- Current consumption: 15mA (passive)
- Physical size: 90x87x31mm
- Weight: >300g
- Storage Temp.: -10°C to +55°C
- Operating Temp.: 0°C to 40°C
- Operating humidity: <80%

LONG RANGE RECEIVER AND TRANSMITTERS

The Sentry™ long range units are designed using code hopping format in 403MHz, 433MHz or 868MHz range. The typical uses include operation in large estates, or areas where normal wireless products perform poorly due to clutter and/or interfering objects/structures. This product is also compatible with standard Sentry™ code hopping products.



Typical Distance of 1km*

*Distance was tested in line-of-sight and may vary

COMPATIBLE KEY RING TRANSMITTERS

METX1-C1 **METX1-NV1** **METX1-Q1** **METX1-ET1** **METX1-ST1**
 (433MHz) (433MHz) (433MHz) (433MHz) (403MHz)



SPECIFICATIONS:

RECEIVER:
 Power source: 12-24VDC
 Frequency: 403,55MHz or 433,92MHz
 Sensitivity: -115dBm
 Current consumption: 15mA to 50mA
 Physical size: 160x60x40mm
 Weight: ±120g
 Storage Temp.: -10°C to +55°C
 Operating Temp.: 0°C to 40°C
 Operating humidity: <80%

SPECIFICATIONS:

TRANSMITTERS:
 Power source: 12VDC
 Frequency: 403,55MHz or 433,92MHz
 Transmission Power: +8dBm Typical
 Current consumption: 15mA
 Physical size: 160x60x40mm
 Weight: ±120g
 Storage Temp.: -10°C to +55°C
 Operating Temp.: 0°C to 40°C
 Operating humidity: <80%

Made to order. 5-7 working days.



SGO 6+



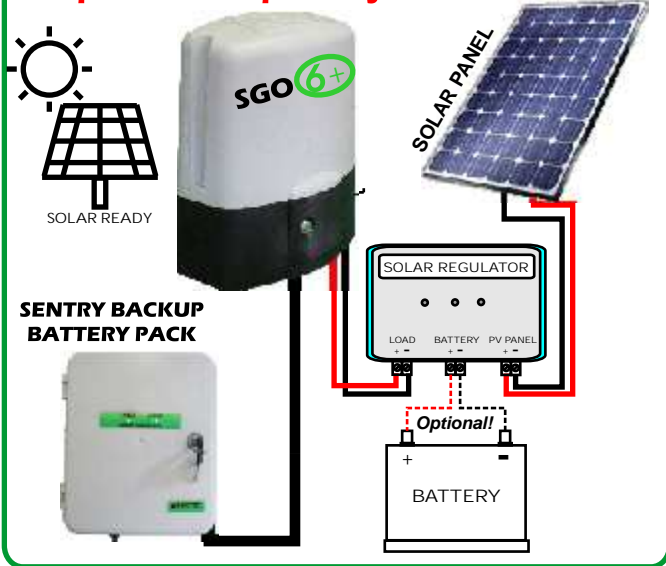
The **SENTRY™ SGO6+™** is the next step in the evolution of our popular **SGO6™** sliding gate operator. As its predecessor, SGO6+™ controls sliding gates with a mass Of up to **600kg** and uses a powerful 12V DC motor. It also provides some important **NEW** and enhanced features.

1. **SGO6+™** has unlimited number of operations per day and provides fast and reliable automation for entrances to homes, offices and housing estates.
2. **The system operates directly off 220VAC mains power and the built-in 7Ah/12VDC battery is used as a true back-up power source in the case of power failure i.e. it's an AC/DC driven operator.**
3. The whole **NEW SGO6+™** Power Supply Unit is a versatile power source and distribution unit which offers many flexible options to satisfy the needs of various gate operator installations.

MESGO6+_PSU



All parts sold seperately



- Maintains the built-in 12V/7Ah backup battery in a fully charged condition. In addition, it can maintain in a fully charged condition the externally connected SENTRY™ Battery Pack (refer to the “SGO6xx Battery Pack Manual”).
- A regulated 13.8VDC External (Solar) power supply can be connected to the system via a dedicated plug-in connector.
- Provides power distribution and protection to all connected power sources - AC Mains, the built-in battery, the externally connected SENTRY™ Battery Pack and the External (solar) power supply. As a result, all power sources can work in conjunction. For example, you can simultaneously use all three sources – the AC Mains power supply, the Battery Pack and the External (Solar) power supply.

SGO6+ BATTERY BACK UP

The SENTRY SGO6xx Series Battery Pack is a cost-effective, easy-to-install solution for expanding the power backup capability of the SGO6xx Series gate operator installation. It provides additional true back-up power to the gate operator in the case of AC Mains failure - up to 400 opening/closing cycles (measured for 4 meter / 500kg gate @ 20m/min @ 12V/18Ah internal battery fully charged). It is a low voltage 13.8VDC system connected directly to the Power Supply unit of SGO6xx Gate operator via four electrical lines. The 12V/18Ah battery is charged and maintain through the SGO6xx PSU unit.

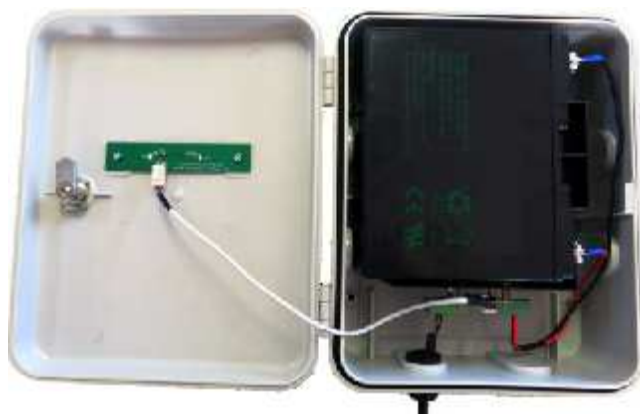
Advanced features of the SGO6xx Series Battery Pack include:

Over-voltage protection of the built-in 12V/18Ah battery.

Charging current regulation and over-charge protection.

Wrong polarity connection protection.

Power Supply and Battery status LED indication.



Battery pack includes:
Enclosure with lock & keys
Cable
Cable gland
Fasteners

Battery not included

ROLL UP GARAGE DOOR OPERATOR

The **Sentry DCC-02** roll up garage door operator is the second generation garage door operator manufactured by Martin Electronics cc. Designed specifically for single domestic roll-up curtain doors.

APPLICATION:

Automation of most lightweight laminated domestic aluminium curtain roll-up doors.

PRODUCT FEATURES:

- Operates from AC mains supply
- 24 volt, 77rpm motor for increased efficiency and speed
- Electronic limits, no need to set limit switches or adjust screws.
- Auto close feature
- Safety beam input
- External receiver/ wall button input
- Includes to Sentry Tx4 code hopping transmitters



MEDM-R1



**Optional
adaptor
wheel**

MEDM-RW

SPECIFICATIONS:

Input power source: 200-250VAC 50/60Hz 80VA
Operating voltage: 24VDC
Max. Lift mass: 6kg
Opening speed: 21m/min
Duty cycle - Mains power: 40%at 25°C
Battery backup capacity: Max. 10 cycles
Standby time with mains fail: 24-30 hours
Max. Motor current: 4.9amps
Origin system: Optical encoder
Collision sensing system: Motor current and speed slope delta
Operating temperature: 10°C to 55°C
Operating humidity: 40 - 70% RH (non condensing)
Remote control frequency: 433,92MHz

Battery type: 2x 1.3Ah/1.4Ah SLA
Battery charge time: 12 hours

Remote coding type: Sentry code hopping

INFRA-RED SAFETY GATE BEAMS

The **Sentry Gate Beams** are a standard infra-red barrier beam for gates and garage doors. It is a weatherproof design suited for use with domestic and commercial gate and garage automation products. It offers a maximum of 15 metres range.

COMPATIBLE WITH MOST GATE AND GARAGE DOOR OPERATORS

WIRELESS VERSION



MEGB-WL1

HARD WIRED VERSION



MEGB-15M

SPECIFICATIONS:

Power source: 12-24VDC Receiver
2x 'AA' Batteries Transmitter
Relay contact: 1Amp
Current consumption: 15mA passive
and 50mA active - Receiver
Physical size: 90 x 45 x 29mm
Weight: 75g to 120g
Storage Temp.: -10°C to +55°C
Operating Temp.: 0°C to 40°C
Operating humidity: <80%

SPECIFICATIONS:

Power source: 12-24VDC
Relay contact: 1Amp
Current consumption: 15mA passive
and 50mA active
Physical size: 90 x 45 x 29mm
Weight: 75g to 100g
Storage Temp.: -10°C to +55°C
Operating Temp.: 0°C to 40°C
Operating humidity: <80%

INDUSTRIAL ROLLER SHUTTER CONTROLLER

The **Sentry™ Roller Shutter Controller** is ideal for use with roller shutter doors that use a tubular motor with built in limit switches. It also has connections for safety beams, built in 433,92MHz receiver with two pre-programmed 3 button Sentry™ code hopping transmitters included.



MERDC-01

Sold as a kit

- 1x 1 Roller shutter controller
- 2x 3 button transmitter
- 1x Transmitter wall bracket
- 1x User manual
- Fasteners

FEATURES:

- 12VDC Safety beam input
- Single button operation
- Sentry™ Code Hopping encryption
- Store up to 16 transmitters

SPECIFICATIONS:

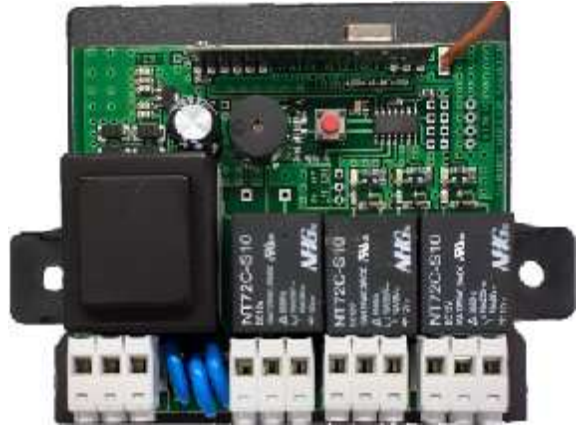
- Power source: 210 to 230 VAC
50 - 60 Hz
- Frequency: 433,92MHz
- Sensitivity: -115dBm
- Relay Contacts: 10A @ 240VAC
- Physical size: 135 x 115 x 45mm
- Weight: >300g
- Storage Temp.: -10°C to +55°C
- Operating Temp.: 0°C to 40°C
- Operating humidity: <80%

3 CHANNEL INDUSTRIAL ROLLER SHUTTER RECEIVER

The **Sentry™ Roller Shutter Receiver** is used in conjunction with the industrial roller shutter doors. It is connected in the place of the standard wall mount control unit. The unit provides 3 relay outputs for Up; Stop and Down control.



REPLACES FIXED WALL MOUNTED BUTTONS



MERX3-IRD

FEATURES:

- 220VAC input
- 3 button operation
- Sentry™ Code Hopping encryption
- Store up to 16 transmitters



METX3-C3



Sentry™ transmitter wall bracket

METX1-WB

Sold as a kit

- 1x 1 Roller shutter receiver
- 1x 3 button transmitter
- 1x Transmitter wall bracket
- 1x User manual
- Fasteners

SPECIFICATIONS:

- Power source: 210 to 230 VAC
50 - 60 Hz
- Frequency: 433.92MHz
- Sensitivity: -115dBm
- Relay Contacts: 5A @ 240VAC
- Physical size: 135 x 115 x 45mm
- Weight: >300g
- Storage Temp.: -10°C to +55°C
- Operating Temp.: 0°C to 40°C
- Operating humidity: <80%



4 ZONE ALARM PANEL

The **Sentry™ 4 Zone Alarm Panel** is a standalone battery backup alarm system. The panel can be powered by a 16VAC transformer or with Solar. It provides 4 hardwired zones, hardwired panic and 2 output triggers that can be used for armed-response purposes. Remote arm/disarm; panic and zone bypass done on a 4 button Sentry remote control using secure Keeloq protocol. It is a compact, low cost system that is easy to install and use with peace of mind.

FEATURES:

- Four hardwired zones
- Full remote control operation
- Independent control for siren & strobe
- On board charger for a 12v 7ah backup battery
- 24 hour audible panic
- No keypad required
- Panic and burglary outputs for armed-response radios.
- LED status output
- Solar ready

Also sold in full kits:

MEALM-4Z-KIT

- 1x 4 zone panel
- 1x Tx4 code hopping
- 3x Sentry passives
- 2x door contacts
- 1x 16VAC transformer
- 1x 15w siren

MEALM-4ZKIT2

- 1x 4 Zone panel
- 1x Tx4 code hopping
- 1x 16VAC transformer
- 1x15w siren



MEALM-4ZN
STANDARD VERSION

MEALM-4ZBM
INSTANT ARM VERSION

Panel sold with:
1x 4 Zone Alarm Panel
in enclosure
1x 4 button transmitter
1x User manual
Fasteners

SPECIFICATIONS:

Power source: **16VAC (MAX)**
Frequency: 433,92MHz
Remote coding: Sentry code hopping
Sensitivity: -115dBm
Physical size: 280x238x95mm
Weight: <900g (without battery)
Storage Temp.: -10°C to +55°C
Operating Temp.: 0°C to 40°C
Operating humidity: <80%

PASSIVE INFRARED DETECTORS

The **Sentry™ Passive Infra-Red detector** is the ideal motion detector for residential and office sites that require high performance at low cost. It makes use of digital processing techniques to improve the performance. Notable for it's sealed optics, look down optics, temperature compensation and pulse counter.



MEPIR-01 (STANDARD PIR)

FEATURES:

- Sealed optics protects from insects.
- Lookdown optics.
- Temperature compensation.
- Swivel bracket for ceiling or wall mounting.
- Durable and elegant design.
- Digital processing technology.
- Pulse count.
- Tamper switch.
- LED enable/disable.
- Not pet friendly

SPECIFICATIONS:

Power source: 12-15 VDC
Relay Contact: 1 Form A Solid-State
Relay 60v
Relay Load current: 100 mA
Physical size: 105 x 65 x 50mm
Weight: <100g
Storage Temp.: -10°C to +55°C
Operating Temp.: 0°C to 40°C
Operating humidity: <80%

SENTRY GSM LINK

The **Sentry™ GSM Link** provides a stable and versatile platform for customers wishing to add remote switching and monitoring functionality to a wide variety of applications.

The GSM Link supports both SMS and GPRS communication options and offers multiple input, as well as output peripherals.

FEATURES:

HARDWARE:

- +12VDC input voltage
- 2x relay outputs
- 1x digital output
- 2x digital inputs
- dual SIM card
- Status indication LED (Tri-colour)
- and many more...

SOFTWARE:

- SIM lock
- GPRS with SMS backup
- SMS only
- Missed call function
- TCP/IP management
- Up to 2 master (can alter settings remotely) users and 500 regular users
- and more...

PROGRAM MODULE

Optional extra USB interface module for easy setup with a PC or laptop. Windows based software provided.

MEGSM-PM



MEGSM-01

SPECIFICATIONS:

- Power source: 12VDC only
- Relay contacts: 2x 1Amp
- Digital output: (0V low, 5V high)
- Inputs: 2x Active High/ Low (0V - 24V DC)
- Physical size: 100 x 90 x 30mm
- Weight: <300g
- Storage Temp.: -10°C to +55°C
- Operating Temp.: 0°C to 40°C
- Operating humidity: <80%

WIEGAND PROTOCOL

The Sentry™ 433Mhz Wiegand Transmitter and Receiver communicates in the 26 or 30 bit Wiegand protocol. Wiegand is a de-facto standard used in industrial and access control applications.



MERX-W26
MERX-W30



METX4-W26
METX4-W30

**Client code and/or site code
+ user number must be
provided when ordering
7-10 working days lead time**

SPECIFICATIONS:

RECEIVER:

Power source: 12-15 VDC
Frequency: 433,92MHz
Coding: Wiegand code
Sensitivity: -115dBm
Physical size: 90 x 67 x 30mm
Weight: >70g
Storage Temp.: -10°C to +55°C
Operating Temp.: 0°C to 40°C
Operating humidity: <80%

SPECIFICATIONS:

TRANSMITTER:

Power source: 12v Internal (GP23A)
Frequency: 433,92MHz
Transmission Power: 350mW
Remote coding: Wiegand code
Physical size: 65 x 32 x 14mm
Weight: >30g
Storage Temp.: -10°C to +55°C
Operating Temp.: 0°C to 40°C
Operating humidity: <80%

WIRELESS ACCESS CONTROL KEYPAD

The **Sentry™ Wireless Keypad** offers functionality, reliability and security for stand alone activation of various devices. With low power consumption and using only two 'AA' size batteries.

APPLICATION:

Use as a central controller for devices incorporating Sentry receivers, like your gate, garage, striker/ magnetic door lock, light switch and/ or even alarm arming. (Some other manufacturers devices can also be controlled.)

FEATURES:

- Easy Installation due to no wires required to the keypad.
- Up to 15 channels output. (Activate 15 devices)
- Selective add and delete user codes.
- Weather resistant.
- Backlit Keypad.
- Audible notifications.
- Built in tamper function.
- Backup module.
- Operates on 2x 'AA' batteries.
- Keeloq code transmission.



MEKPD-01

SPECIFICATIONS:

Power source: Internal 2x 'AA' LR6 batteries
Frequency: 403,55MHz & 433,92MHz
Encryption: Various Keeloq
Transmission Power: 350mW
Physical size: 150 x 90 x 35mm
Weight: >300g
Storage Temp.: -10°C to +55°C
Operating Temp.: 0°C to 40°C
Operating humidity: <80%



Can be pair with any of these receivers.

OTP WIRELESS KEYPAD (ARMED RESPONSE)

Martin Electronics cc offers a keypad with 999/ 7000 pre-loaded random OTP codes. This code can only be used once where by it is then deleted. A Software program is used in conjunction with the keypad, and the client can link the keypad to location/premises. When an OTP Code is required, the program is used to issue the next code. The set codes are encrypted in a file that is imported by the program.

OTP version made to order. 5-7 working days.



MERX1-M5/OTP



METX1-C1/OTP



MEKPD-OTP
1000 user codes

MEKPD-01/7K
7000 user codes

SPECIFICATIONS:

Power source: Internal 2x 'AA' LR6 batteries
Frequency: 433,92MHz
Encryption: Keeloq
Transmission Power: 350mW
Physical size: 150 x 90 x 35mm
Weight: >300g
Storage Temp.: -10°C to +55°C
Operating Temp.: 0°C to 40°C
Operating humidity: <80%

CONTACT DETAILS

POSTAL ADDRESS:
PO BOX 82129
SOUTHDALE
JOHANNESBURG
2135
SOUTH AFRICA

TEL: +2711 433 4084
FAX: +2711 680 3080

DIRECTOR: STEPHEN MARTIN
steve@martin-electronics.co.za

ACCOUNTS: JENNIFER
jennie@martin-electronics.co.za

INTERNAL SALES ASSISTANT:
orders@martin-electronics.co.za
sentrysales1@martin-electronics.co.za

TECH SUPPORT: MARIUS
ALARM SYSTEMS; KEYPADS, IR BEAMS & GSM COMMUNICATORS
marius@martin-electronics.co.za

TECH SUPPORT: ROBERT
TRANSMITTERS AND RECEIVERS
technical@martin-electronics.co.za

TECH SUPPORT: ANANI
GATE MOTORS
anani@martin-electronics.co.za



Disclaimer

Martin Electronics CC will not be held responsible for any loss or damage that may occur if the Installation and User manual and safety instructions were not followed. The onus is on the installer to ensure that there are no obstructions when fitting and installing the gate. It is the responsibility of the installer and the user to ensure that children and pets are not in the vicinity of the gate when it is being tested and/or operated. It is the user's responsibility to ensure that the immediate area is kept free of plant and any other matter that may accumulate in or around the gate motor and the area of the gate operation. Do not allow children to operate the gate or play in the gate area.



**POSTAL ADDRESS:
PO BOX 82129
SOUTHDALE
JOHANNESBURG
2135
SOUTH AFRICA**

EMAIL: technical@martin-electronics.co.za

**TEL: +2711 433 4084
FAX: +2711 680 3080**

WEBSITE: www.martin-electronics.co.za

FOLLOW US ON:



@sentryremotes



@sentrymartinelectronics

**TRADING HOURS:
MONDAY - THURSDAY
8:00 - 17:00 CAT
FRIDAY 8:00 - 16:00 CAT**

2021